

# CLIMA CONTROL 105



## MEMBRANE WITH VARIABLE VAPOUR DIFFUSION

### WIDE RANGE

Highly variable vapour diffusion resistance (0.1 - 20 m) that gives the product the ability to adapt to the hygrometric conditions of the structure.

### EASY INSTALLATION

Thanks to its transparency, the membrane is immediately installed on the substructure.

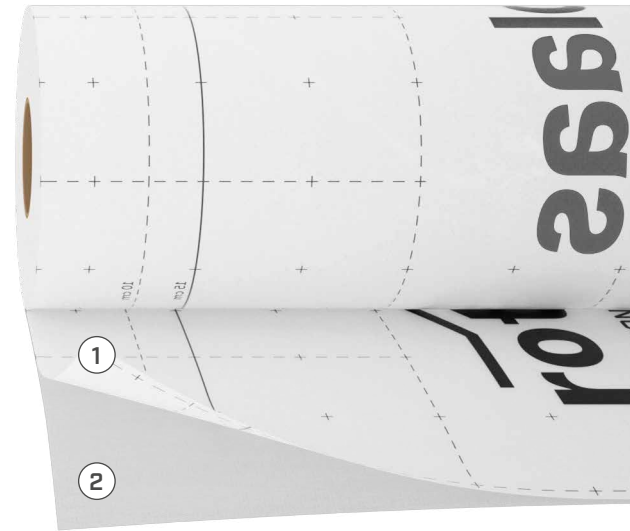
### RELIABLE

The special PA film ensures maximum protection for walls and excellent security in insulation.

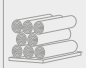


## COMPOSITION

- ① top layer: PA functional film
- ② bottom layer: non-woven PP fabric



## CODES AND DIMENSIONS

CODE	description	tape	H [m]	L [m]	A [m <sup>2</sup> ]	H [ft]	L [ft]	A [ft <sup>2</sup> ]	
CLIMA105	CLIMA CONTROL 105	-	1,5	50	75	4.93	165	808	36



### SMART

It is breathable when internal relative humidity is too high, and serves as a vapour control layer when internal humidity is at suitable levels.

### RETROFIT

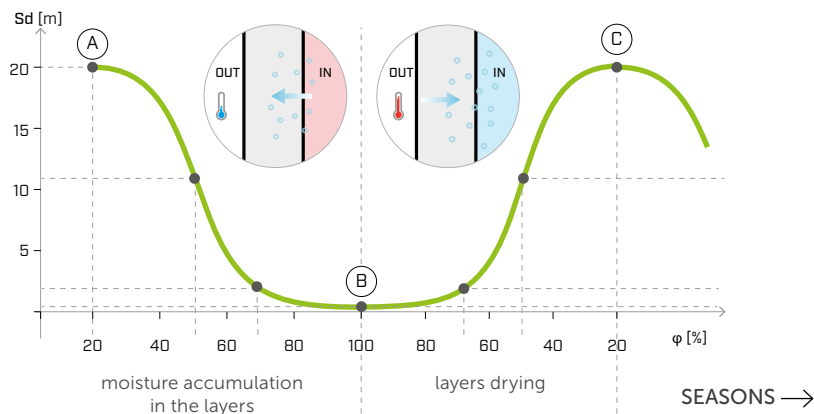
Thanks to its ability to adapt vapour diffusion according to the hygrometric conditions of the materials it comes into contact with, it is ideal for energy refurbishment of existing buildings.

## TECHNICAL DATA

Properties	standard	value	USC units
Mass per unit area	EN 1849-2	105 g/m <sup>2</sup>	0.34 oz/ft <sup>2</sup>
Thickness	EN 1849-2	0.4 mm	16 mil
Variable water vapour transmission (Sd)	EN 1931/EN ISO 12572	0,1/20 m	35/0.175 US Perm
Tensile strength MD/CD	EN 12311-2	> 175/150 N/50 mm	> 20/17 lb/in
Elongation MD/CD	EN 12311-2	> 60/60 %	-
Resistance to nail tearing MD/CD	EN 12310-1	> 140/150 N	> 31/34 lbf
Water vapour resistance:			
- after artificial ageing	EN 1296/EN 1931	compliant	-
- in the presence of alkalis	EN 1847/EN 12311-2	npd	-
Reaction to fire	EN 13501-1	class E	-
Resistance to penetration of air	EN 12114	< 0,02 m <sup>3</sup> /(m <sup>2</sup> h50Pa)	< 0.001 cfm/ft <sup>2</sup> at 50Pa
Resistance to temperature	-	-40/80 °C	-40/176 °F
Indirect exposure to UV rays	-	2 weeks	-
Thermal conductivity (λ)	-	0,2 W/(m·K)	0.12 BTU/h·ft·°F
Specific heat	-	1700 J/(kg·K)	-
Density	-	approx. 263 kg/m <sup>3</sup>	16 lbm/ft <sup>3</sup>
Variable water vapour resistance factor (μ)	-	250/50000	0.5/100 MNs/g
VOC	-	not relevant	-

Waste classification (2014/955/EU): 17 02 03.

USA and CA Properties	standard	value
Water vapour transmission (dry cup)	ASTM E96/CAN/CGSB-51.33-M89	0.28 US Perm 16 ng/(s·m <sup>2</sup> ·Pa)
Water vapour transmission (dry cup) after artificial ageing	ASTM E96/CAN/CGSB-51.33-M89	0.218 US Perm 12.5 ng/(s·m <sup>2</sup> ·Pa)
Breaking factor MD/CD	ASTM D882-18/CAN/CGSB-51.33-M89	4.58/3.39 kN/m 26.2/19.3 lbf/in 12.6/10.3 MPa
Tensile strength	ASTM D828-22/CAN/CGSB-51.33-M89	4.5 N/mm 25.8 lbf/in
Surface burning characteristics	ASTM E84	CLASS A



- (A) DRY LAYERS: Sd 20 m**  
maximum protection - vapour control layer to limit the passage of vapour in view of the season when moisture accumulates within the layers
- (B) HUMID LAYERS: Sd 0,1 m**  
maximum breathability - breathable membrane to allow drying during the reverse steam diffusion phenomenon
- (C) DRY LAYERS: Sd 20 m**  
maximum protection for the start of a new year and a new cycle



## TRANSPARENT

The transparency of the product makes it easy to identify the strut when it is installed directly on the frame structure.